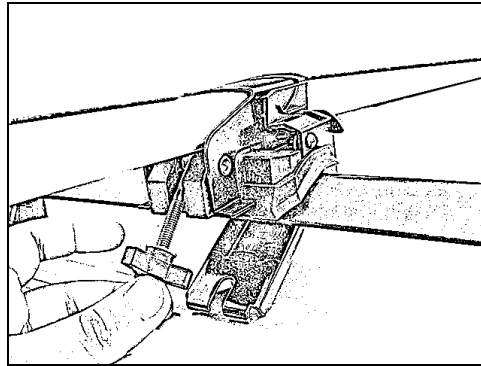


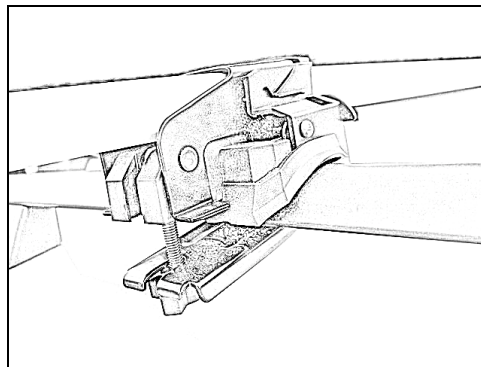
Universal Roof Rack Installation Manual

1. Remove the locking cover from the roof rack mounts and fit the wrap clamp on the mount.

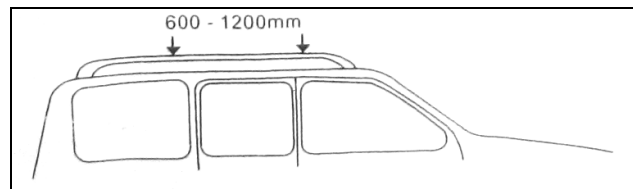
2. Fit the mount assembly to the vehicle side-rail. Use caution and do not let straps impact roof. Slide the crossbar trough the mounts and center feet on bars.



3. Fit the nut onto the adjustment screw and swing it down under the clamp. Do not tighten the clamp yet. Make sure you can still freely slide the mount on the side-rail.



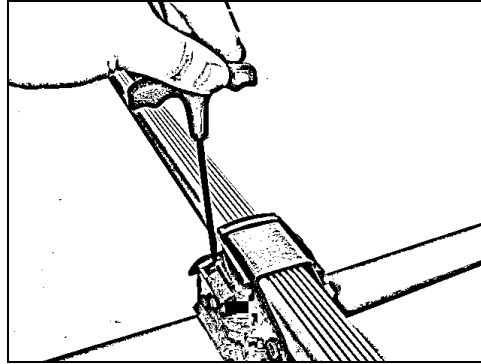
4. Repeat steps 1-4 on the other three mounts in the approximate positions shown or as mark on the inner side of the side-rails by the car manufacturer.



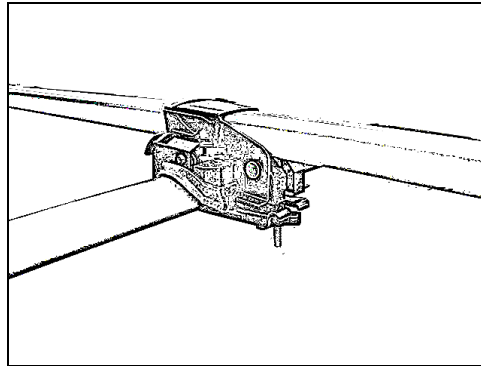
Universal Roof Rack Installation Manual

Page 2 of 2

5. Using the hex key (provided with hardware), tighten up the 2 screws in each of the mount.



6. Fully tighten the wrap clamp.



7. Install the locking cover on the mounts and lock them.

